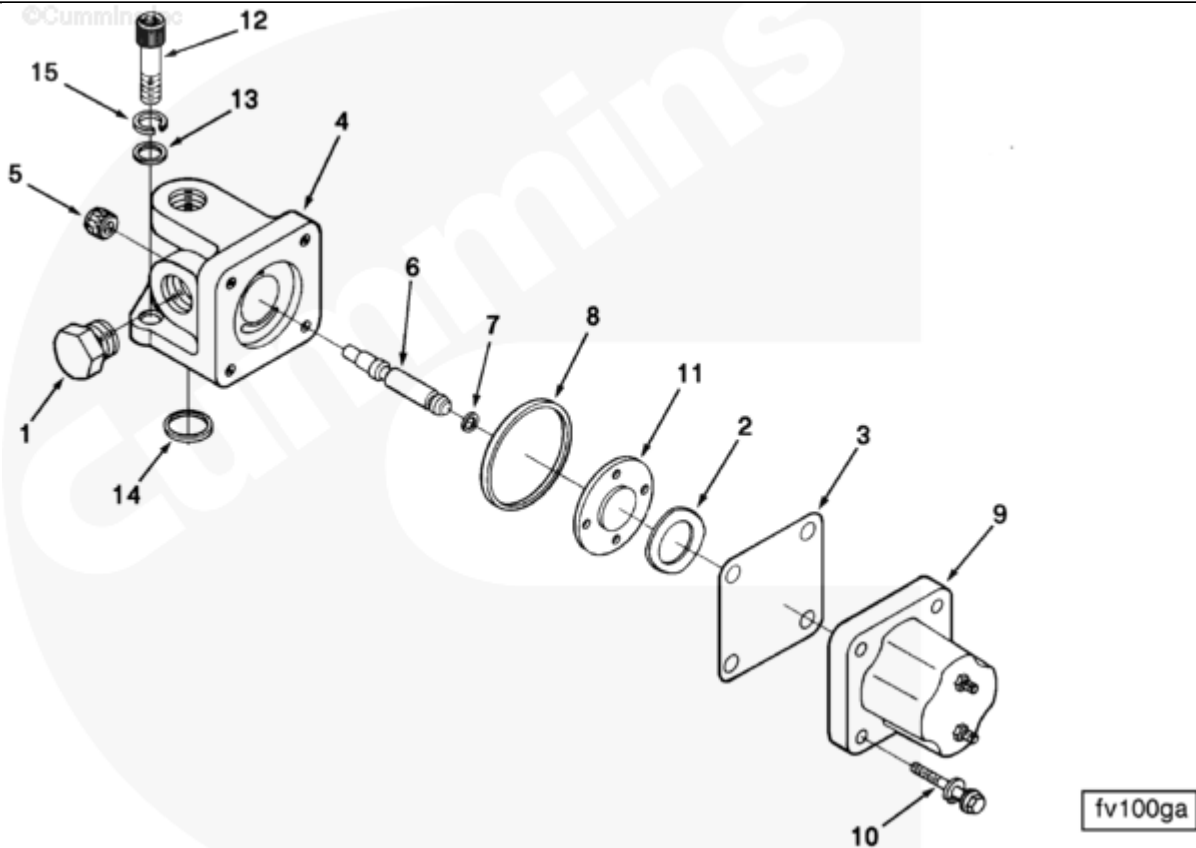




Parts Catalog - Option Detail

Electronic Parts Catalog - Option Detail				
Option	Group	Graphic	Film Card	Date
FV8010	05.06	fv100ga	F	13-NOV-92
Engines	NH/NT 855, NT495, NT743, NTA855 N106			



SMALL | MEDIUM | LARGE

Cart	Ref No	Part Number	Part Description	Required	Remarks
View My Cart					
		FV8010	Fuel Shut-Off Valve		24 volt solenoid operated...(More)
					fuel shutoff valve. Two
					terminals. Mounted on pump.
<input type="checkbox"/>		3035346	Shut-Off Valve	1	Recon equivalent 3035346 RX
<input type="checkbox"/>	1	3025458	Pipe Plug	1	1/8 NPT.
<input type="checkbox"/>		3053436	Fuel Shut-Off Valve	1	

<input type="checkbox"/>	2	129768	Valve Spring	1	
<input type="checkbox"/>	3	129839	Shut-Off Valve Shield	1	
<input type="checkbox"/>	4	129886	Fuel Shut-Off Valve Body	1	
<input type="checkbox"/>		129826	Shut-Off Valve Body	1	
<input type="checkbox"/>	5	129838	Knob	1	
<input type="checkbox"/>	6	3000266	Shut-Off Valve Shaft	1	
<input type="checkbox"/>	7	3279794	O-Ring Seal	1	
<input type="checkbox"/>	8	129888	Rectangular Ring Seal	1	
<input type="checkbox"/>	9	134076	Solenoid	1	
<input type="checkbox"/>	10	187556	Fillister Head Cap Screw	4	#10 - 24 x 5/8 inch
<input type="checkbox"/>	11	3030970	Valve Disc	1	
<input type="checkbox"/>	12	S 189 C	Socket Head Cap Screw	2	1/4 - 20 X 1 3/4 Inch.
<input type="checkbox"/>	13	67684	Plain Washer	2	1/4 Inch.
<input type="checkbox"/>	14	154087	Rectangular Ring Seal	1	
<input type="checkbox"/>	15	181466	Lock Washer	2	1/4 in.